

PVC-U BALL VALVE THREADED FEMALE BSP UNION FOR WATERING-SWIMMING POOL

PVC-U ball valve, full bore for watering, water distribution and swimming pool.
3 pieces type threaded female BSP union.
Double O-ring EPDM on stem, EPDM gaskets and HDPE seat.



Size : DN1/2" to DN3"
Connection : Female BSP
Min Temperature : +0°C
Max Temperature : +60°C
Max Pressure : 10 Bars
Specifications : Anti blow-out stem
Double EPDM O-ring on stem
3 pieces type
PP handle

Materials : PVC-U

PVC-U BALL VALVE THREADED FEMALE BSP UNION FOR WATERING-SWIMMING POOL

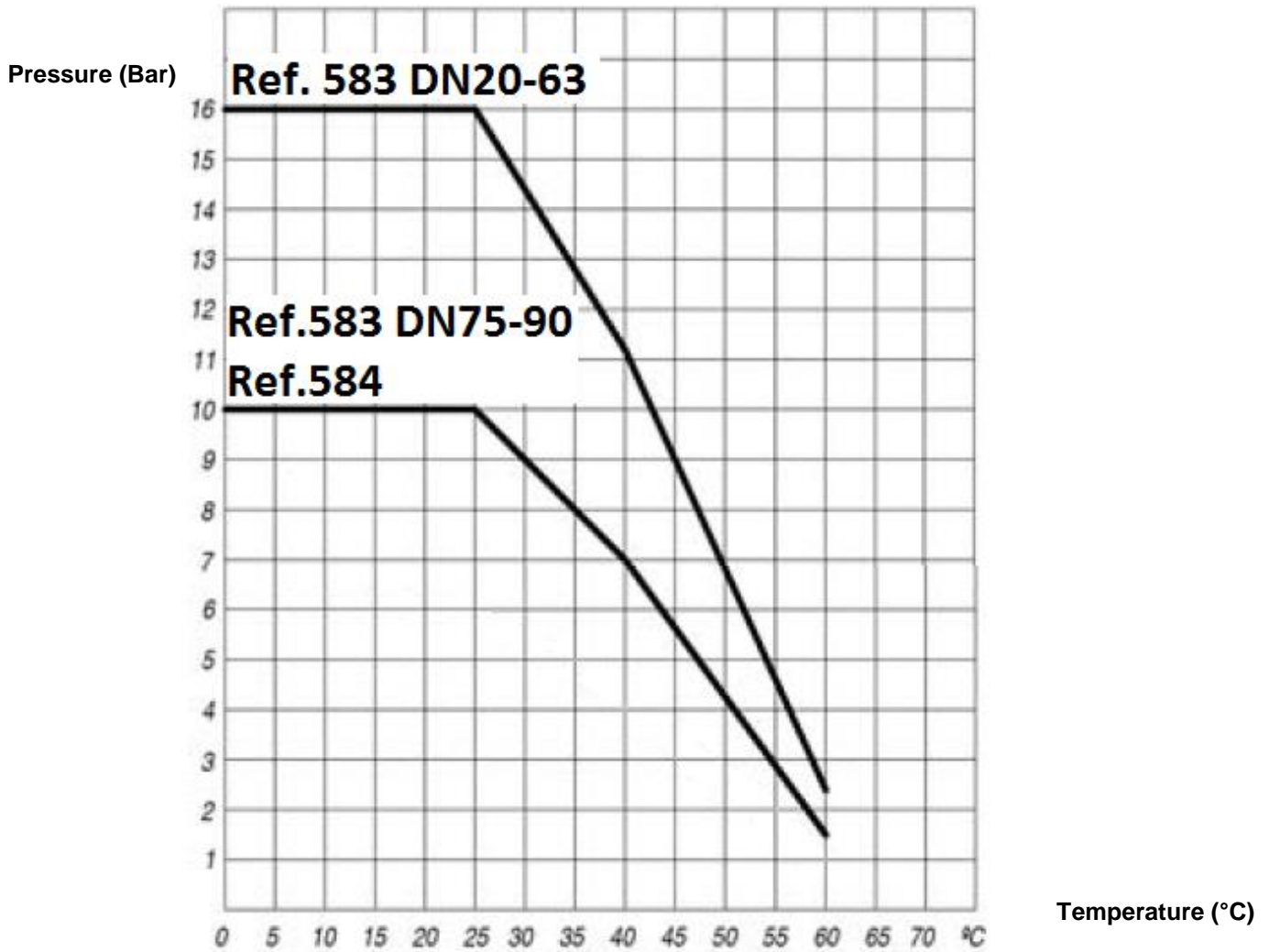
SPECIFICATIONS :

- Respect the flow direction indicated by the arrow
- 3 pieces type
- Double EPDM O ring
- Anti blow-out stem
- Full bore (excepted DN3")
- PP handle

USE :

- Watering, water distribution, swimming pool
- Δp maxi : 3 bars
- Min Temperature Ts : + 0 °C
- Max Temperature Ts : + 60°C
- Max Pressure Ps : 10 bars (see graph under)

PRESSURE / TEMPERATURE GRAPH (STEAM EXCLUDED) :

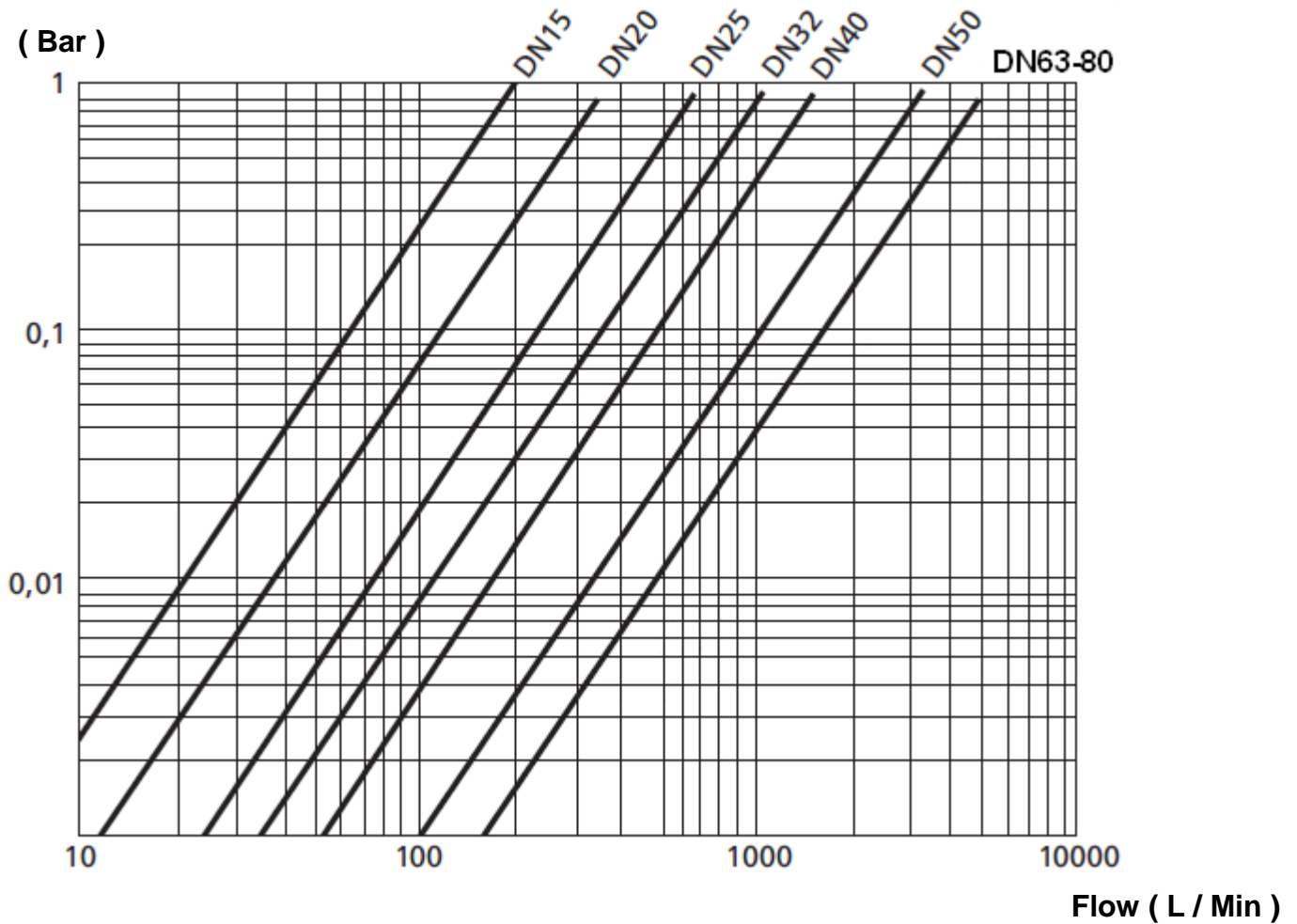


PVC-U BALL VALVE THREADED FEMALE BSP UNION FOR WATERING-SWIMMING POOL

RANGE :

- PVC-U ball valve threaded female BSP Ref. 584 from DN1/2" to DN3"

HEAD LOSS GRAPH :

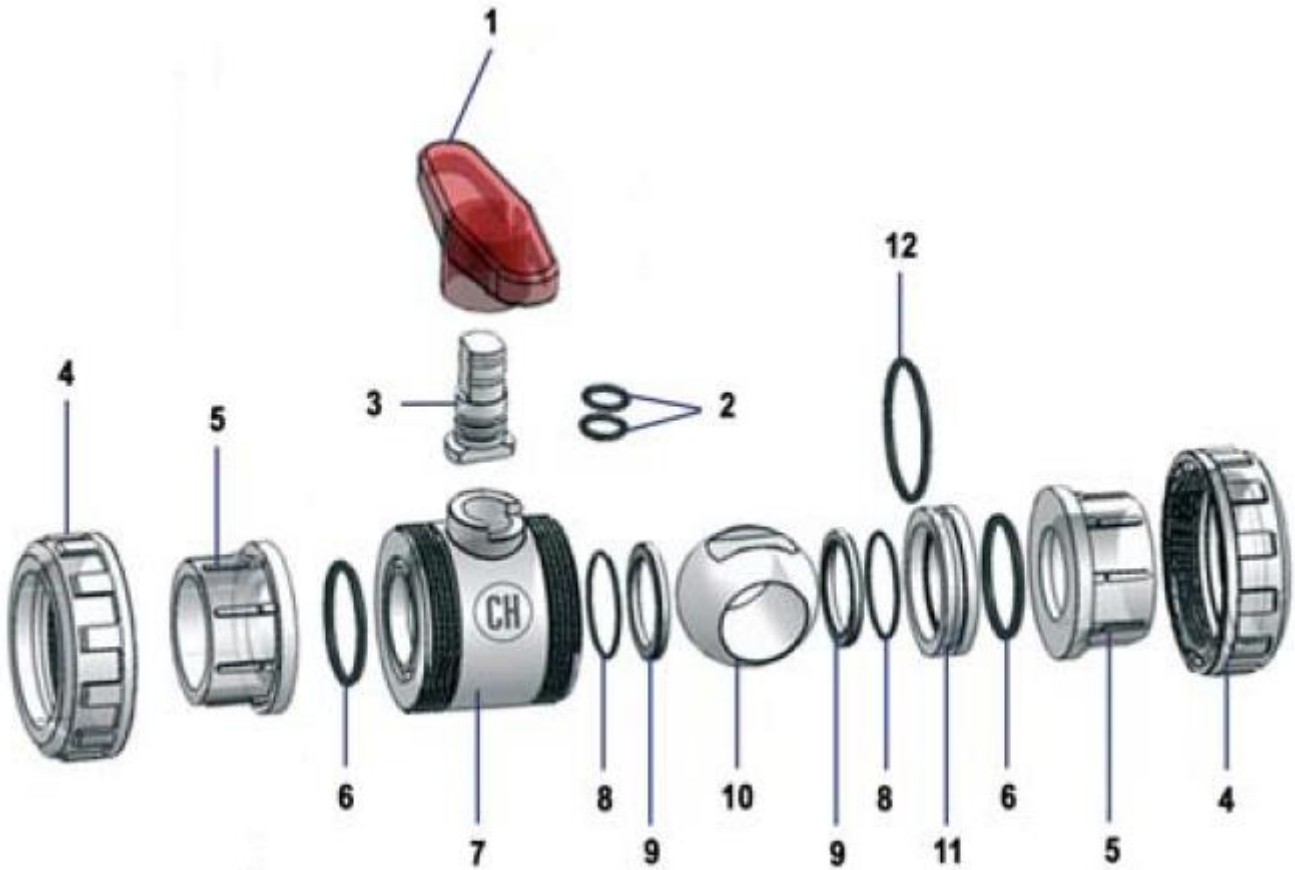


TORQUE VALUES (in Nm without safety coefficient) :

DN (mm)	15/20	20/25	25/32	32/40	40/50	50/63	63/75	63/90
DN (")	1/2"	3/4"	1"	1"1/4	1"1/2	2"	2"1/2	3"
Torque (Nm)	3	3	6	7	12	18	40	45

PVC-U BALL VALVE THREADED FEMALE BSP UNION FOR WATERING-SWIMMING POOL

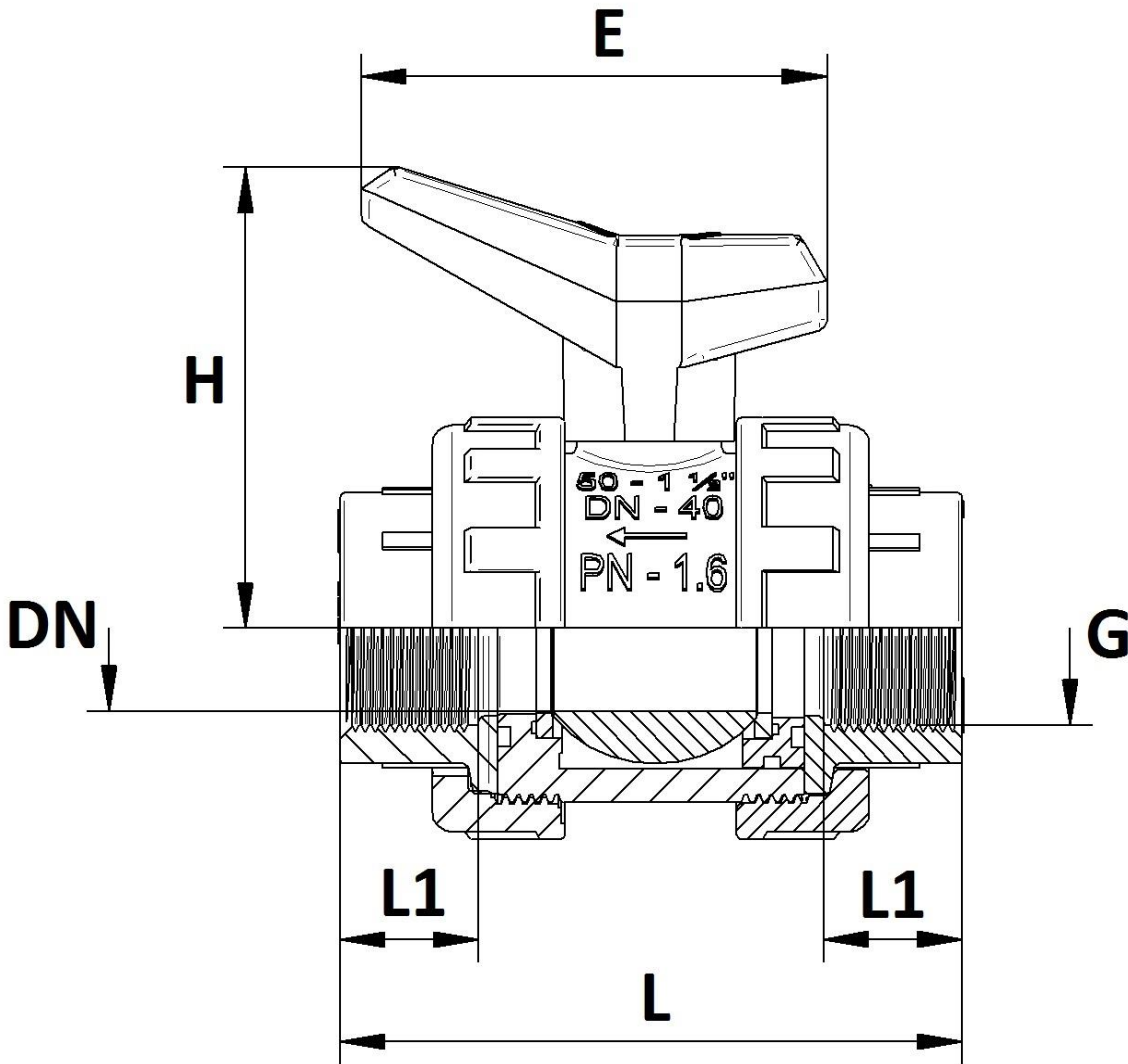
MATERIALS :



Item	Designation	Materials
1	Handle	PP
2	Stem o ring	EPDM
3	Stem	PVC-U
4	Nut	PVC-U
5	Nipple	PVC-U
6	Body gasket	EPDM
7	Body	PVC-U
8	Closing gasket	EPDM
9	Ball gasket	HDPE
10	Ball	PVC-U
11	Ring	PVC-U
12	Ring gasket	EPDM

PVC-U BALL VALVE THREADED FEMALE BSP UNION FOR WATERING-SWIMMING POOL

SIZE (in mm) :



DN	15	20	25	32	40	50	65	65
G	1/2"	3/4"	1"	1 1/4"	1 1/2"	2"	2 1/2"	3"
L	95	102	115	130	144	166	224	232
L1	16	19	22	26	31	38	44	51
E	61	61	82	82	110	110	152	152
H	55	58	77	81	107	113	152	152
Weight (Kg)	0.15	0.2	0.3	0.42	0.76	1.1	2.5	2.53
Ref.	584004	584005	584006	584007	584008	584009	584010	584011

PVC-U BALL VALVE THREADED FEMALE BSP UNION FOR WATERING-SWIMMING POOL

STANDARDS :

- Manufacturer certified ISO 9001 : 2015
- DIRECTIVE 2014/68/EU : Products excluded from directive (Article 1, § 2b)
- Size according to **EN 1452**
- Test according to **UNE EN 917**
- BSP cylindrical threaded ends according to ISO 228-1

ADVICE : Our opinion and our advice are not guaranteed and SFERACO shall not be liable for the consequences of damages.
The customer must check the right choice of the products with the real service conditions.

Sferaco 90 rue du Ruisseau 38297 St Quentin Fallavier Tel: + 33 (0) 474.94.15.90 Fax: + 33 (0) 474.95.62.08 Internet: www.sferaco.fr E-mail : info@sferaco.fr